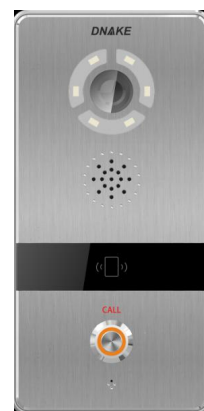


IP Outdoor Station

280SD-C12

Comparing with 902 Android intercom system, 280 Linux intercom system is more cost-effective. It offers multiple functions, including video intercom, door access, emergency call, security alarm, and property management, etc. It also supports communication with IP phone or SIP softphone, etc. via SIP protocol, and can be used with home automation and lift control system.



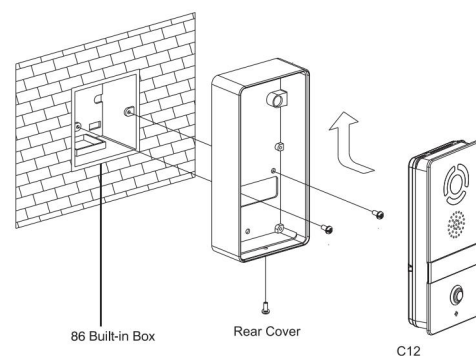
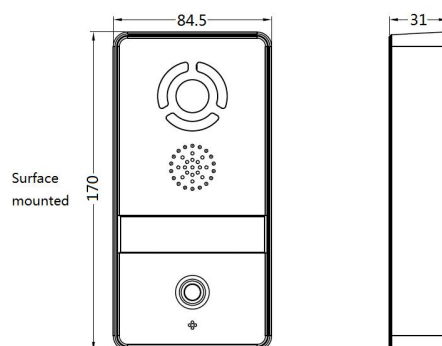
Specifications:

Physical Property	
System	Linux
CPU	1GHz, ARM Cortex-A7
SDRAM	64MB DDR2 SDRAM
FLASH	128MB NAND FLASH
Product Size(Surface)	170x84.5x31(mm)
Product Size(Flush)	190x95x27(mm)
Power	DC12V/PoE
Standby power	1.5W
Rated Power	3W
RFID Card Reader	IC/ID (Optional), 200,00 pcs
Button	Single Mechanical Button
Temperature	-40°C - +70°C
Humidity	20%-93%
IP Class	IP65
Installation	Surface Mounted
Audio & Video	
Audio Codec	G.711
Video Codec	H.264
Camera	CMOS 2M pixel
Video Resolution	1280×720p
LED Night Vision	Yes
Network	
Ethernet	10M/100Mbps, RJ-45
Protocol	TCP/IP, SIP
Interface	
Unlock circuit	Yes (Withstand max current 1A for lock)
Exit Button	Yes
RS485	Yes
Door Magnetic	Yes

Key features:

- Open the door by IC/ID card (20,000 users)
- Elevator control
- Standard SIP 2.0
- PoE

Dimension & Installation:



IP Outdoor Station

280SD-C12

Comparing with 902 Android intercom system, 280 Linux intercom system is more cost-effective. It offers multiple functions, including video intercom, door access, emergency call, security alarm, and property management, etc. It also supports communication with IP phone or SIP softphone, etc. via SIP protocol, and can be used with home automation and lift control system.



Specifications:

Physical Property	
System	Linux
CPU	1GHz, ARM Cortex-A7
SDRAM	64MB DDR2 SDRAM
FLASH	128MB NAND FLASH
Product Size(Surface)	170x84.5x31(mm)
Product Size(Flush)	190x95x27(mm)
Power	DC12V/PoE
Standby power	1.5W
Rated Power	3W
RFID Card Reader	IC/ID (Optional), 200,00 pcs
Button	Single Mechanical Button
Temperature	-40°C - +70°C
Humidity	20%-93%
IP Class	IP65
Installation	Flush Mounted

Audio & Video	
Audio Codec	G.711
Video Codec	H.264
Camera	CMOS 2M pixel
Video Resolution	1280×720p
LED Night Vision	Yes

Network	
Ethernet	10M/100Mbps, RJ-45
Protocol	TCP/IP, SIP

Interface	
Unlock circuit	Yes (Withstand max current 1A for lock)
Exit Button	Yes
RS485	Yes
Door Magnetic	Yes

Key features:

- Open the door by IC/ID card (20,000 users)
- Elevator control
- Standard SIP 2.0
- PoE

Dimension & Installation:

