

IP Indoor Monitor

280M-S9

With Linux OS and customizable UI, it offers multiple functions, including video intercom, door access, emergency call, security alarm, and property management, etc. It also supports communication with IP phone or SIP softphone, etc. via SIP protocol. According to your needs, it can be used with home automation and lift control system. Therefore, when you think about buying IP intercom system, 280 Linux intercom system is also a good choice.



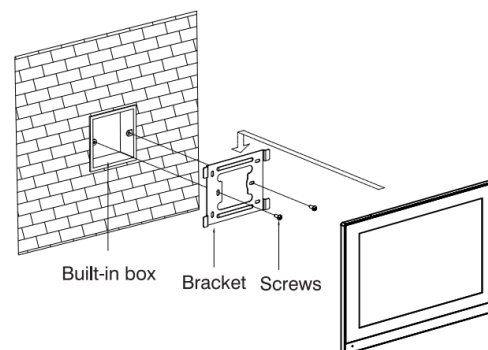
Specifications:

Physical Property	
System	Linux
CPU	1GHz,ARM Cortex-A7
Memory	64MB DDR2 SDRAM
Flash	128MB NAND FLASH
Display	10" TFT LCD, 1024x600
Power	DC12V
Standby power	1.5W
Rated Power	9W
Temperature	-10°C - +55°C
Humidity	20%-85%
Audio & Video	
Audio Codec	G.711
Video Codec	H.264
Display	Capacitive, Touch Screen
Camera	No
Network	
Ethernet	10M/100Mbps, RJ-45
Protocol	TCP/IP、SIP
Features	
IP Camera Support	8-way Cameras
Multi Language	Yes
Picture Record	Yes(64 pcs)
Elevator Control	Yes
Home Automation	Yes(RS485)
Alarm	Yes(8 Zones)
UI Customized	Yes

Key features:

- UI customization
- Support external 8-way IP cameras
- Integration of elevator control and home automation
- Standard SIP 2.0

Dimension & Installation:



Size: 270*189*16.5mm