

DNAKE



User Manual

DNAKE TWK04



REMARK

Please follow the user manual for correct installation and testing. If there is any doubt please call our tech-supporting and customer center.

Our company applies ourselves to reformation and innovation of our products. No extra notice for any change. The illustration shown here is only for reference. If there is any difference, please take the actual product as the standard.

The product and batteries must be handled separately from household waste. When the product reaches the end of service life and needs to be discarded, please contact the local administrative department and put it in the designated collection points in order to avoid the damage to the environment and human health caused by any disposal. We encourage recycling and reusing the material resources.

CATALOG

PRODUCT FEATURE.....	1
TECHNICAL PARAMETER	1
PACKAGE CONTENT	3
OVERVIEW	4
SYSTEM DIAGRAM.....	5
DEVICE WIRING.....	6
INSTALLATION	9
BASIC OPERATION-USER.....	17
TROUBLESHOOTING.....	24
SAFETY INSTRUCTION.....	25
FCC WARNING	26

PRODUCT FEATURE

- 1.Plug & Play
- 2.IK07 & IP65
- 3.Multiple Unlock methods (Card/Fob, Temp Key, PIN Code, QR Code, APP, Indoor monitor)
- 4.Check alarm notifications on the APP
- 5.Extendable to 1 Door stations, 3 indoor Monitors
- 6.CCTV integration

TECHNICAL PARAMETER

Indoor Monitor

Power Supply: DC 24V

Standby Power: 5 W

Rated Power: 9.5 W

Display: 7-inch TFT LCD

Screen: Capacitive touchscreen

Resolution: 1024 x 600

Working Temperature: -10°C to +55°C

Storage Temperature: -10°C to +70°C

Working Humidity: 10% to 90% (non-condensing)

Door Station

Power Supply: Powered by Indoor Monitor

Standby Power: 3.5 W

Rated Power: 12 W

Video Resolution: 1280 x 720

Working Temperature: -40°C to +55°C

Storage Temperature: -40°C to +70°C

Working Humidity: 10% to 90% (non-condensing)

Power Adapter

Input Voltage: AC 100-240V

Output Voltage: DC 24.0V


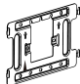









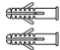







Rated Current: 2.0A

Wiring instructions


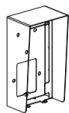

Cable Model	Farthest Devices		
AWG18	190M / 2 Devices (1 Door station & 1 Monitor)	150M / 3 Devices (1 Door station & 2 Monitors)	110M / 4 Devices (1 Door station & 3 Monitors)
AWG20	140M / 2 Devices (1 Door station & 1 Monitor)	110M / 3 Devices (1 Door station & 2 Monitors)	80M / 4 Devices (1 Door station & 3 Monitors)
AWG24	60M / 2 Devices (1 Door station & 1 Monitor)	40M / 3 Devices (1 Door station & 2 Monitors)	20M / 4 Devices (1 Door station & 3 Monitors)

PACKAGE CONTENT

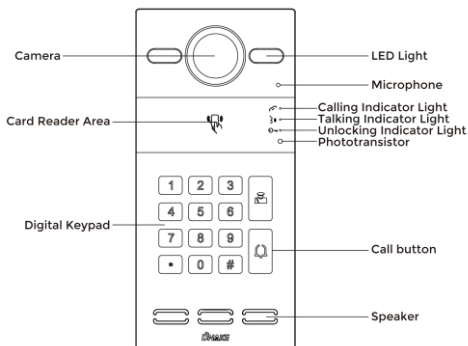
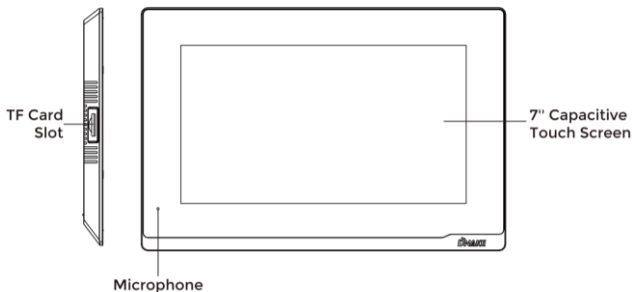
MODEL: TWK04

				
Indoor Monitor	Indoor Monitor Bracket	PM4x20 (2 pcs)	Wires	Power supply
				
Door Station	Door Station Bracket	Sealing Plug of Wiring Port	Junction Pressing	PM2.5x6 (4 pcs)
				
Wiring Cover	Screw Fixing Seat (2 pcs)	PA4x25(2 pcs)	PM4x30 (2 pcs)	FM3x6(2 pcs)
				
Wrench Screw	IC cards/fobs (5 pcs)	Diode (1 pcs)	User Manual	

Optional Accessories

		
Rain Hood (RH01/RH08)	Full Housing (RH09/RH13)	Flush Mounting Accessories

OVERVIEW



Note:

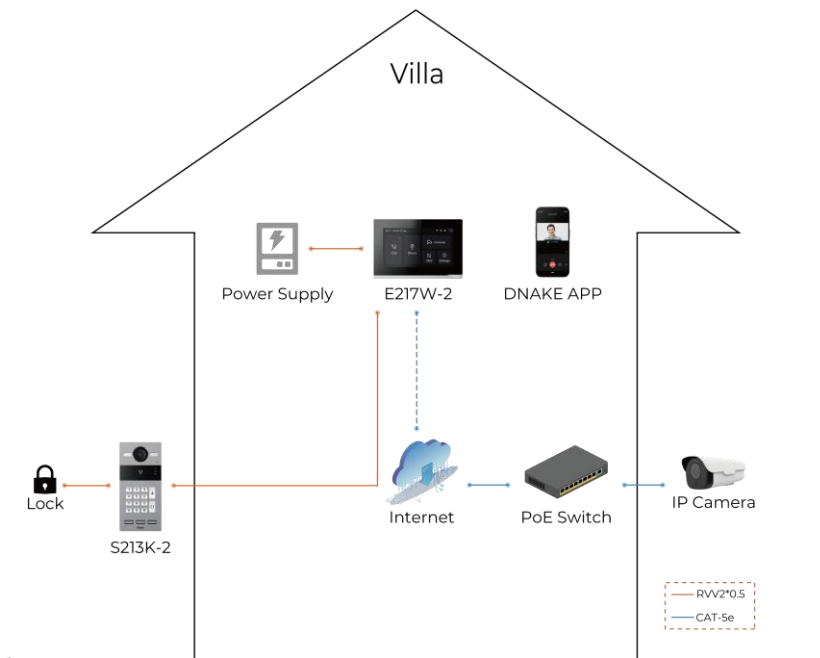
Calling indicator light: The 1st indicator light will activate if the call button is pressed.

Talking indicator light: The 2nd indicator light will activate if the call is picked up or the Villa Station is being actively monitored.

Unlocking indicator light: The 3rd indicator light activates for 3 seconds when the door is unlocked.

Relay Outputs: Supports 2 relay outputs. **Concierge button:** Not available

SYSTEM DIAGRAM

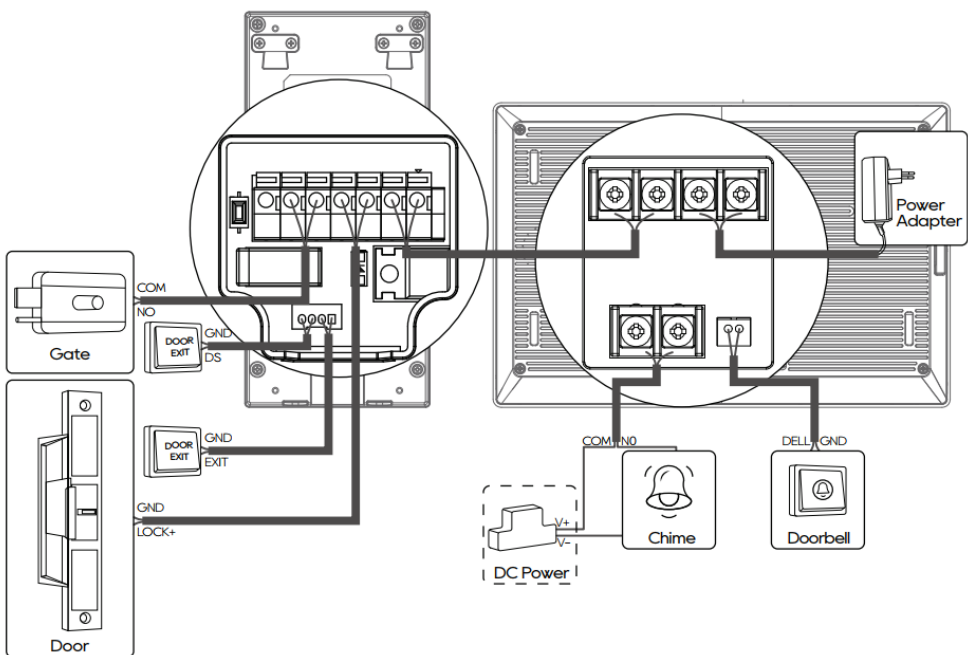


DEVICE WIRING

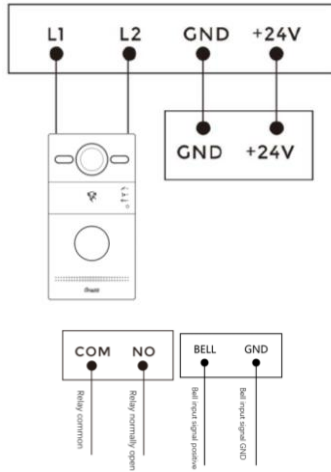
System Wiring

DOOR STATION

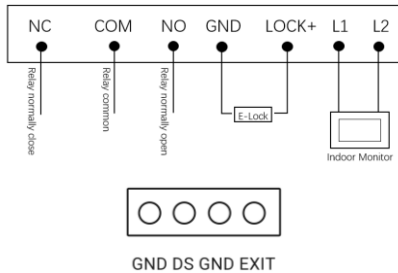
INDOOR MONITOR



Monitor Wiring



Door Station Wiring



Note:

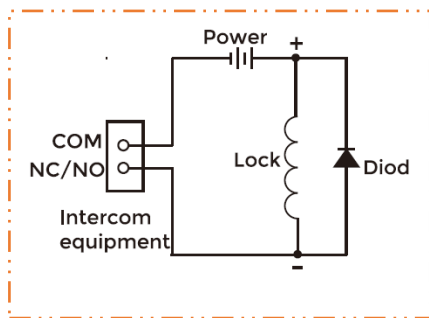
- 1.The power output for LOCK+/GND is maximum 12VDC/800mA.
- 2.Regarding the dry contact/Relay output, it can be a trigger signal, or it can also be connected to an electric lock/strike with an extra power supply for the lock/strike.

NO ●	Normally open port of the relay
COM ●	Common port of the relay
NC ●	Normally closed port of the relay

Relay Output

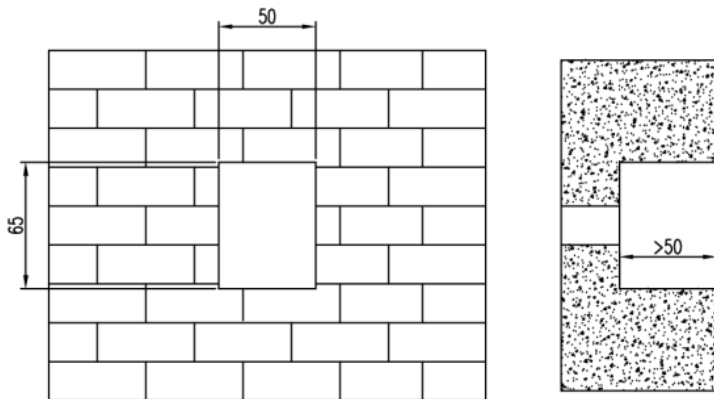
⚠ Warning!

1. When connecting to an inductive load device such as a relay or electromagnetic lock, you are recommended to use a diode 1A/400V (included in the accessories) in anti-parallel with the load device to absorb inductive load voltage peaks. The intercom will be better protected in this way.
2. The load current of the relay cannot be greater than 2A. See attached picture for more details.

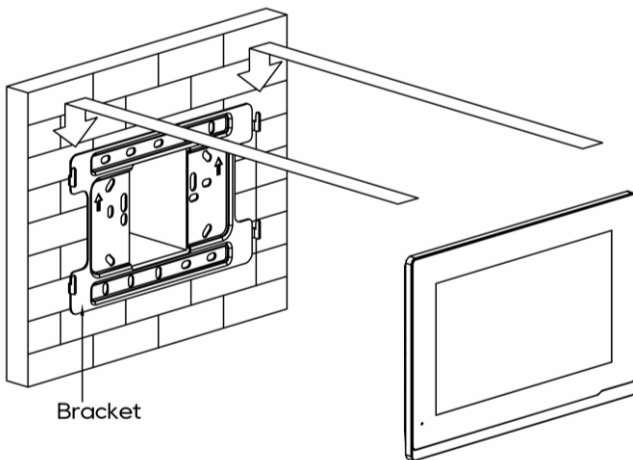


INSTALLATION

Cut-out Dimension for Surface Mounting Box (Unit: mm)

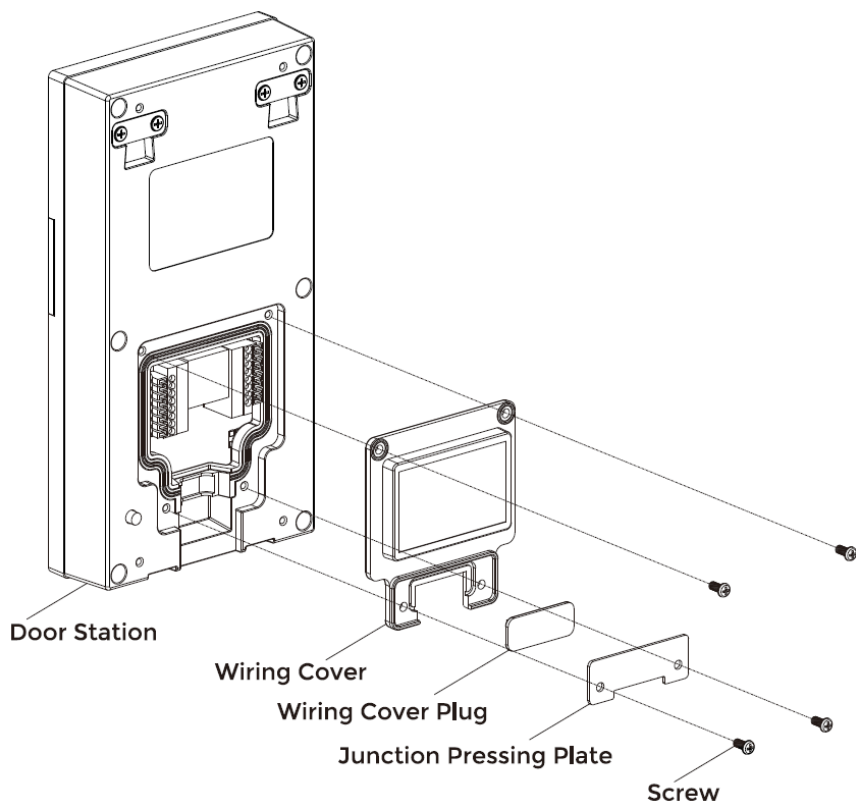


Monitor Surface Mounting:

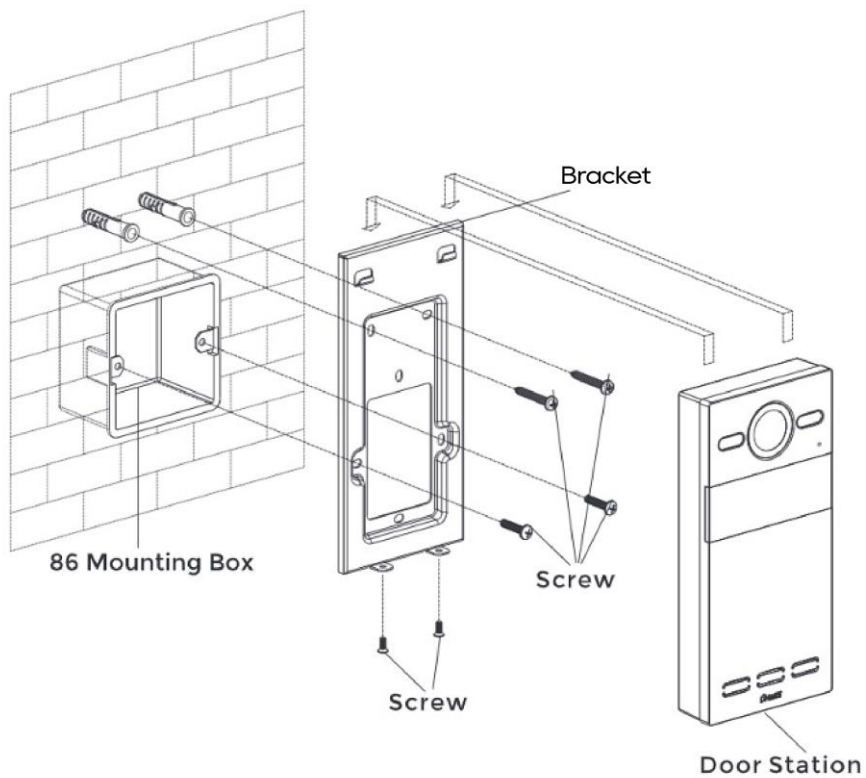


Product size: 195 × 130 × 14 mm

Installation of Wiring Cover

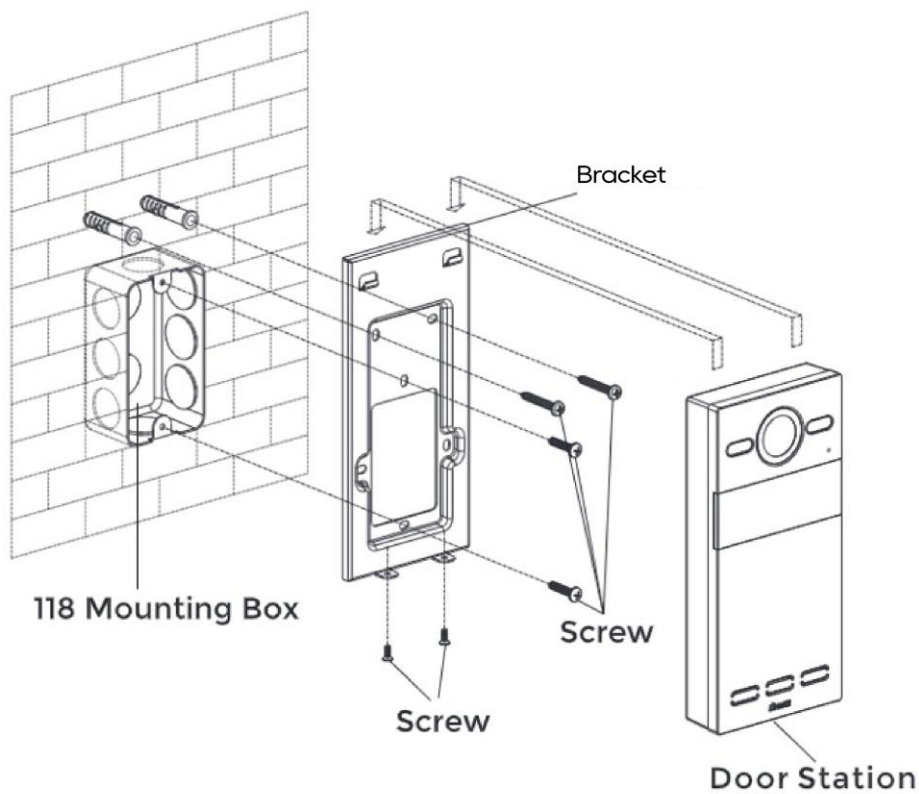


Surface Mounting-86 Mounting Box



Product size: 88 × 188 × 32.5 mm
Surface Mounting size: 88 × 188 × 34 mm

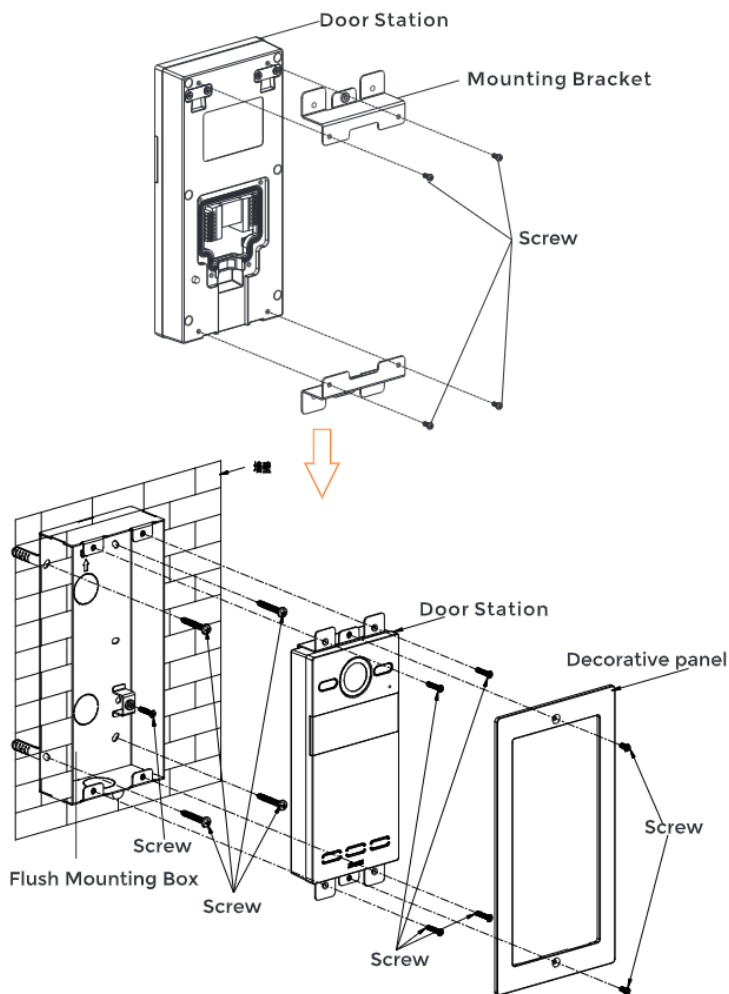
Surface Mounting-118 Mounting Box



Product size: 88 × 188 × 32.5 mm

Surface Mounting size: 88 × 188 × 34 mm

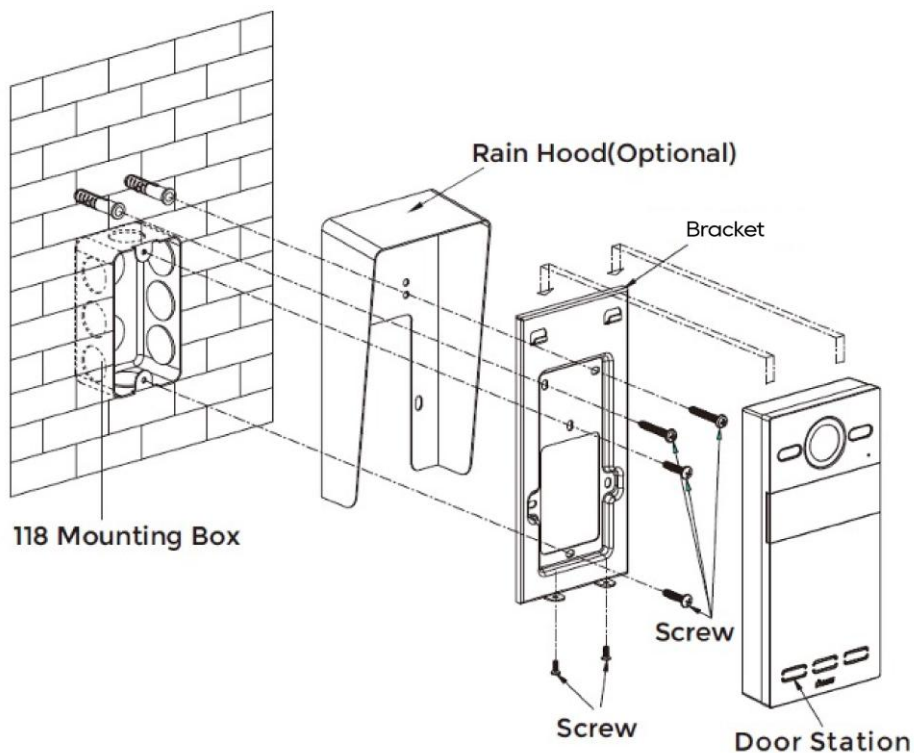
Flush Mounting



Product size: 88 × 188 × 32.5 mm
Flush Mounting size: 120 × 230 × 48 mm
Hole-cutting size: 98 × 219 × 42 mm

Surface Mounting-86 Mounting Box & Rain Hood (Optional)

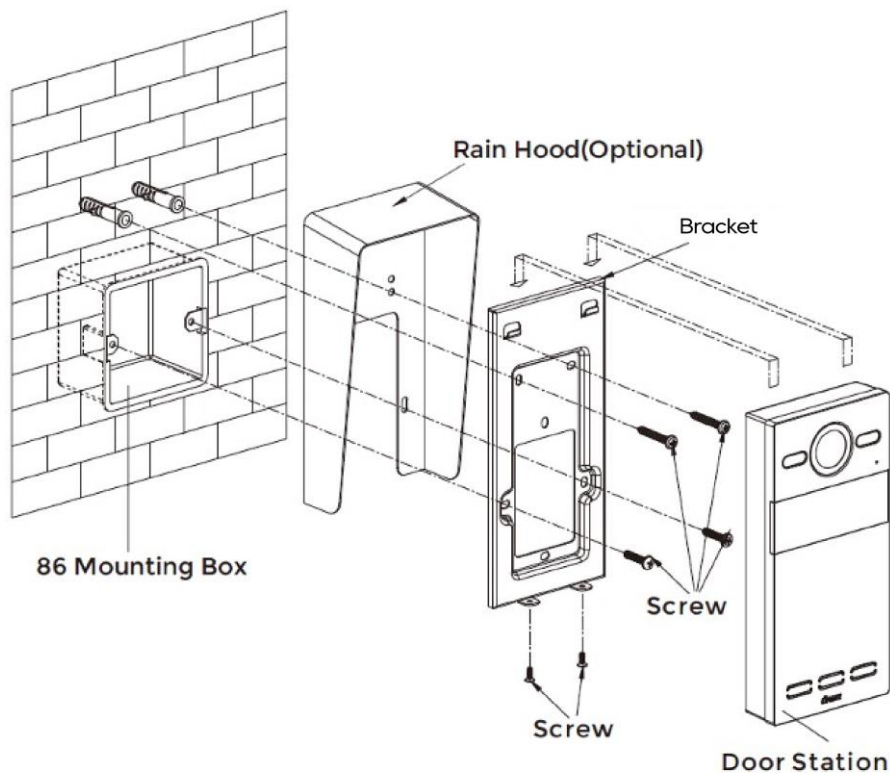
Silicone seal is required around the surface housing to waterproof the back (cables and connections)



Product size: 88 × 188 × 32.5 mm
(RH01)Surface Mounting size: 92.8 × 188 × 50.5 mm
(RH08)Surface Mounting size: 94 × 193.5 × 53 mm

Surface Mounting-118 Mounting Box & Rain Hood (Optional)

Silicone seal is required around the surface housing to waterproof the back (cables and connections)



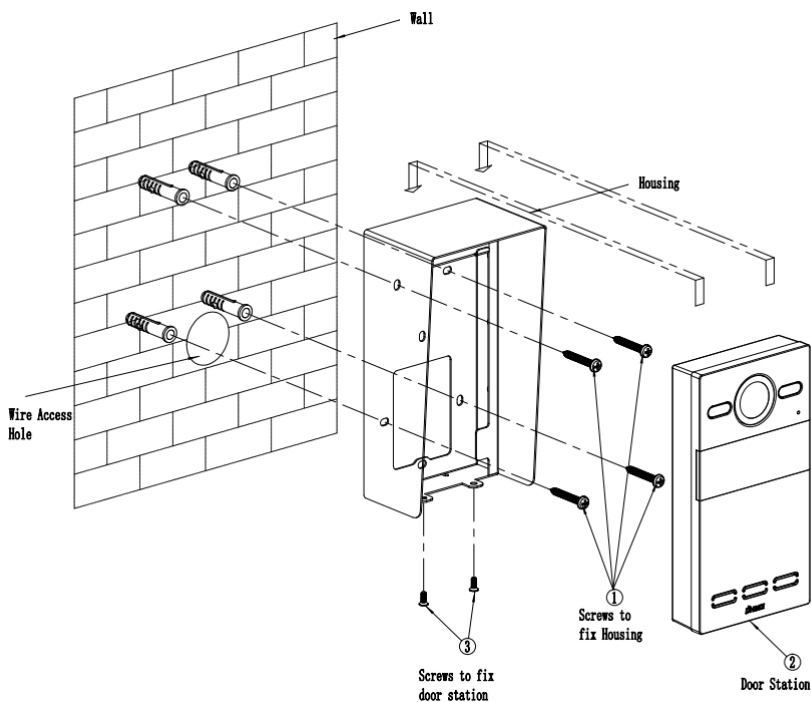
Product size: 88 × 188 × 32.5 mm

(RH01)Surface Mounting size: 92.8 × 188 × 50.5 mm

(RH08)Surface Mounting size: 94 × 193.5 × 53 mm

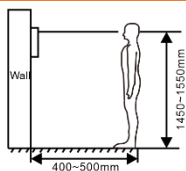
Surface Mounting-Surface Housing (Optional)

Silicone seal is required around the surface housing to waterproof the back (cables and connections)



Product size: 88 × 188 × 32.5 mm
(RH09)Surface Mounting size: 94 × 194 × 66 mm
(RH13)Surface Mounting size: 89 × 193 × 64.5 mm

Tips:



The camera should be 1450~1550mm above the ground. The camera at this height can capture human face perfectly.

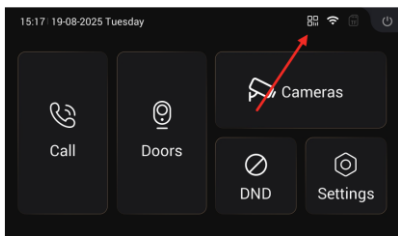
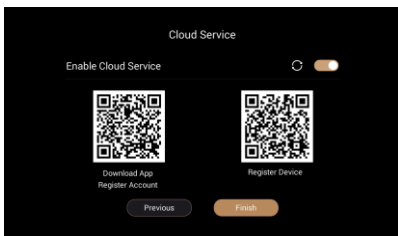
BASIC OPERATION-USER

1. Connect to DNAKE Smart Pro APP

1.1. Download APP

You can view the QR code in the wizard or on the homepage.

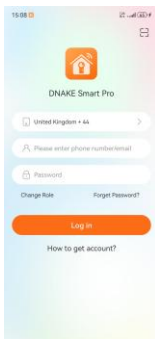
Scan 1st QR Code to download DANKE Smart Pro APP.



1.2. Register APP account

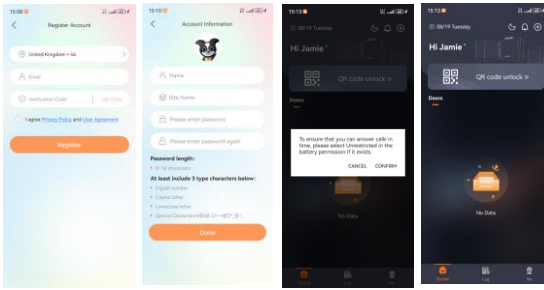
1. Choose your country and then scan 1st QR Code again with the app.

QR code scan tool is on the right upper corner.



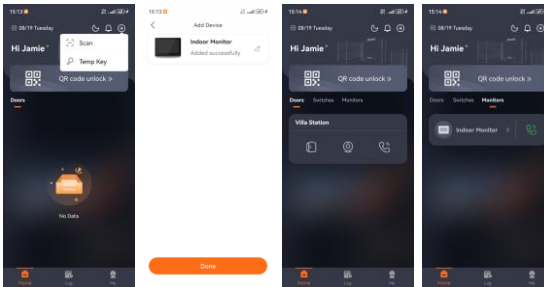
2. Fill in your email, click on Get Code to get the verification code in your inbox. Agree to Privacy Policy and User Agreement to register your Account.

3. Fill in Account information to log in. Grant the app permission. Otherwise, some functions may not be available.

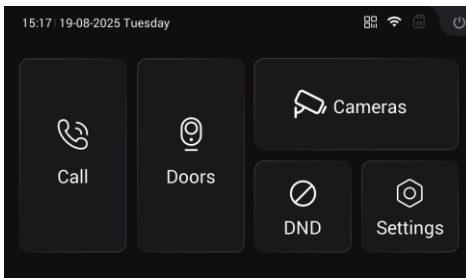


1.3. Register Device

1. Scan 2nd QR code on indoor monitor to register devices.

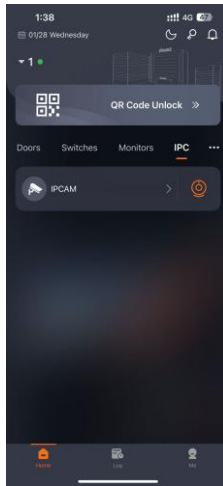


2. Click Finish to go to Homepage. QR code icon is still available on the upper right corner. Users can register or invite family members to scan and join.



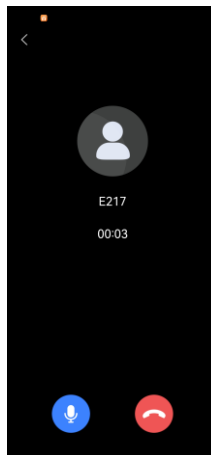
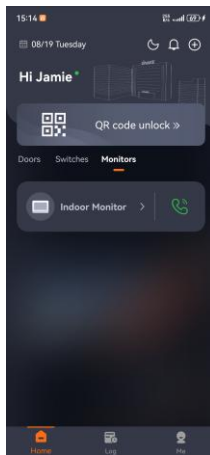
1.4. Monitor IPC

Add the IPC via ONVIF or RTSP in the monitor first, then it supports to monitor the IPC in the app.



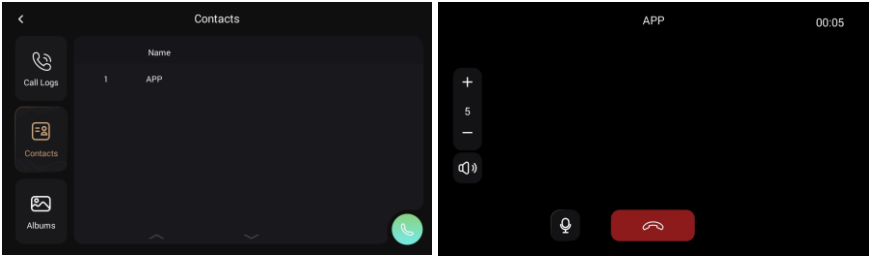
1.5. Call Indoor Monitor with APP

Press Monitors and the dial icon to call Indoor Monitor.



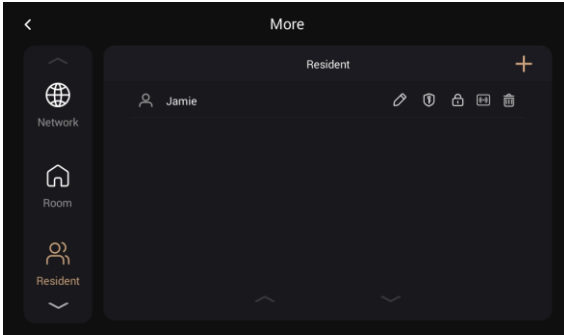
1.6. Call APP with Indoor Monitor

Go to Call > Contacts. Select App and press dial icon below.

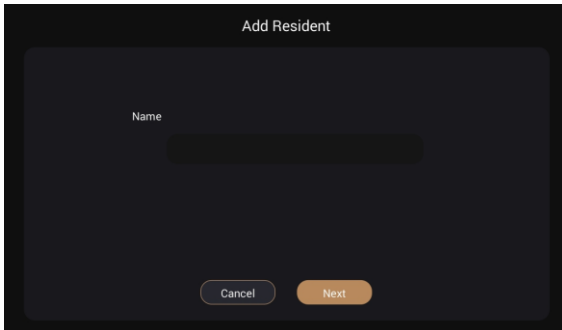


2. Add Cards/Fobs and PIN Code

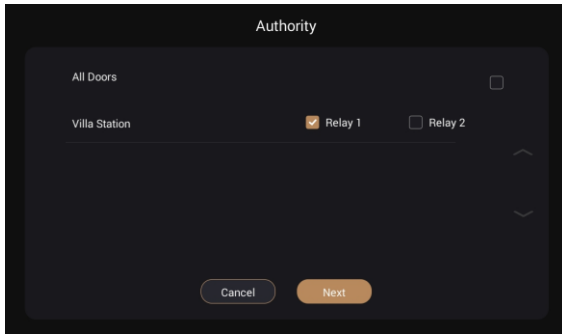
1. Go to Settings > More > Resident and press “+” icon to create a resident.



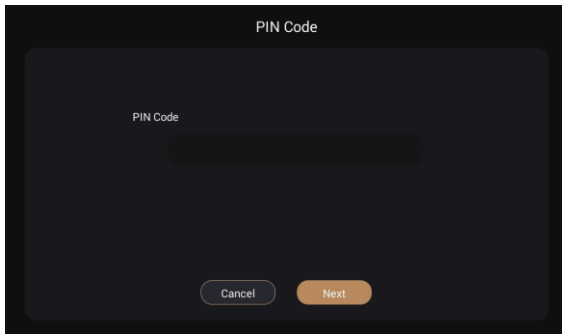
2. Fill in the Resident Name.



3. Select Villa Stations and Relays for resident's access authority.

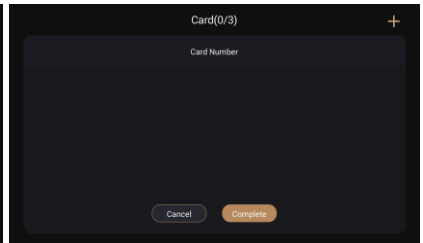
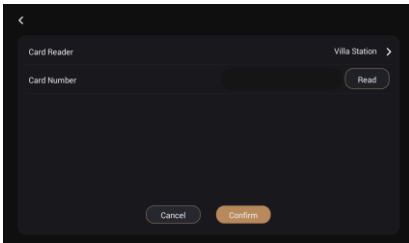


4. Create a PIN Code for resident. (4-8 digits)



5. Add the card/fobs for the resident.

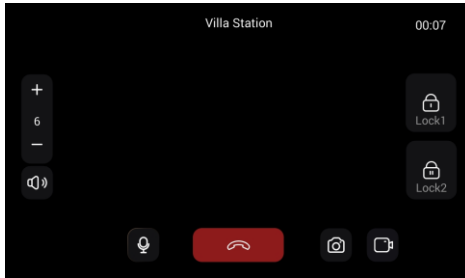
Select the Card Reader, click Read button, then tap the card/fob on the reader area of door station.



6. Complete.

3.Unlock

1. Indoor Monitor unlock

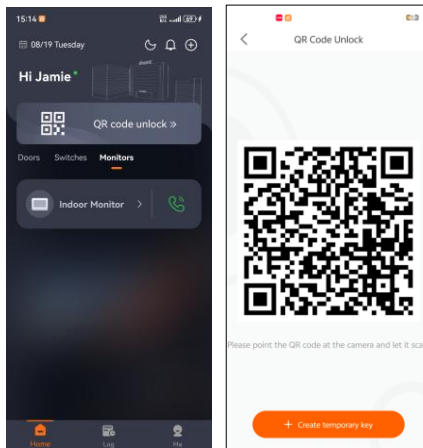


2. RFID unlock

Tap your pre-programmed Card on the RFID reading zone of door station, then the lock will be opened.

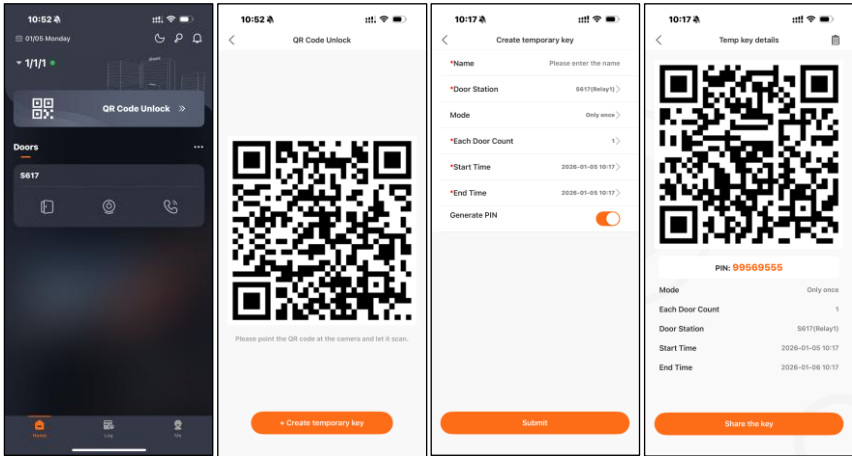
3. QR Code unlock

Open DNAKE Smart Pro APP, tap QR code. Get QR code close and face to Door Station's camera. The door will be unlocked after QR code got scanned successfully.



4. Temp Key unlock

Temp key can be used to unlock the door for visitors.

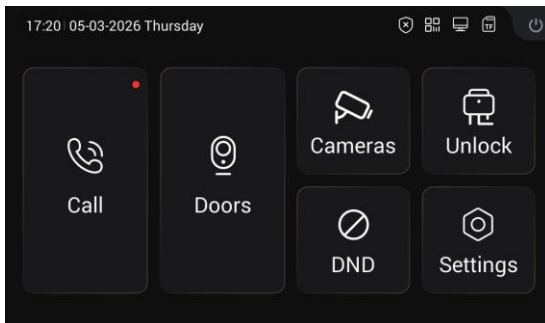


5. PIN code

Enter the PIN code QR plus “#” on the door station to open the door.

4. Another relay output for the whole system

If another relay/dry contact output is needed to control another lock or a home automation device, please enter "More" of "Settings", and configure the mode of "Local Relay" to be "Open Door", then the "COM/NO" of indoor monitor will change to be a relay/dry contact output, which you can control on the home page.



TROUBLESHOOTING

The Indoor Monitor cannot start up or power off automatically.

- Check whether it has power-failure, and power it on again.

The Indoor Monitor display screen is too dim.

- Check whether the brightness and contrast settings of screen are correct.

No sound during the communication.

- Check whether the Indoor Monitor is set as mute mode, or the volume is set to the lowest.

Multimedia files cannot be played normally.

- Check whether the system supports the file format. Please refer to the multimedia setting for details.

Touchscreen responses slowly or cannot make calibration.

- Take down any protective paster, since it may affect identification and input for device.
- Ensure the finger is dry and clean when clicking touch screen.
- Restart the device to clear any temporary software error.

The temperature of device is too high.

- Long-term use leads to high temperature. It's normal and will not affect the device's use life and performance.

SAFETY INSTRUCTION

In order to protect you and others from harm or your device from damage, please read the following information before using the device.

- Do not install the device in high-temperature and moist environment or the area close to magnetic field, such as the electric generator, transformer or magnet.
- Do not place the device near the heating products such as electric heater or the fluid container.
- Do not place the device in the sun or near the heat source, which might cause discoloration or deformation of the device.
- Do not install the device in an unstable position to avoid the property losses or personal injury caused by the falling of device.

Guard against electric shock, fire and explosion:

- Do not use damaged power cord, plug or loose outlet.
- Do not touch the power cord with wet hand or unplug the power cord by pulling.
- Do not bend or damage the power cord.
- Do not touch the device with wet hand.
- Do not make the power supply slip or cause the impact.
- Do not have the liquids such as water go into the device.

Clean Device Surface

- Clean the device surfaces with soft cloth dipped in some water, and then rub the surface with dry cloth.

Other Tips

- In order to prevent damage to the paint layer or the case, please do not expose the device to chemical products, such as the diluent, gasoline, alcohol, insect-resist agents, opacifying agent and insecticide.
- Do not knock on the device with hard objects.
- Do not press the screen surface. Overexertion might cause flopover or damage to the device.
- Please be careful when standing up from the area under the device.
- Do not disassemble, repair or modify the device at your own discretion.
- The arbitrary modification is not covered under warranty. When any repair required, please contact the customer service center.
- If there is abnormal sound, smell or fume in the device, please unplug the power cord immediately and contact the customer service center.
- When the device isn't used for a long time, the adaptor and memory card can be removed and placed in dry environment.

FCC WARNING

This device complies with Part 15 of the FCC Rules. Operation is subject to the following two conditions:

(1) This device may not cause harmful interference, and (2) this device must accept any interference received, including interference that may cause undesired operation.

NOTE 1: This equipment has been tested and found to comply with the limits for a Class B digital device, pursuant to part 15 of the FCC Rules. These limits are designed to provide reasonable protection against harmful interference in a residential installation. This equipment generates uses and can radiate radio frequency energy and, if not installed and used in accordance with the instructions, may cause harmful interference to radio communications.

However, there is no guarantee that interference will not occur in a particular installation. If this equipment does cause harmful interference to radio or television reception, which can be determined by turning the equipment off and on, the user is encouraged to try to correct the interference by one or more of the following measures:

- Reorient or relocate the receiving antenna.
- Increase the separation between the equipment and receiver.
- Connect the equipment into an outlet on a circuit different from that to which the receiver is connected.
- Consult the dealer or an experienced radio/TV technician for help.

NOTE 2: Any changes or modifications to this unit not expressly approved by the party responsible for compliance could void the user's authority to operate the equipment.

RF exposure statement

This equipment complies with the FCC radiation exposure limits set forth for an uncontrolled environment. This transmitter must not be co-located or operating in conjunction with any other antenna or transmitter.

 **EASY & SMART
INTERCOM SOLUTIONS**